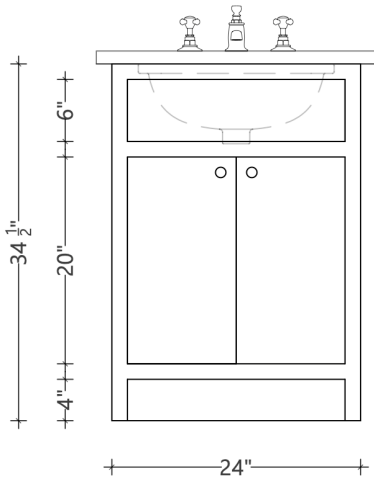


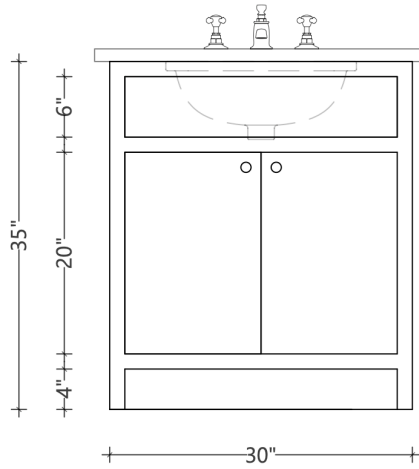
VANITY COLLECTION
INSTALLATION & SPECIFICATIONS

MINNEHAHA VANITIES

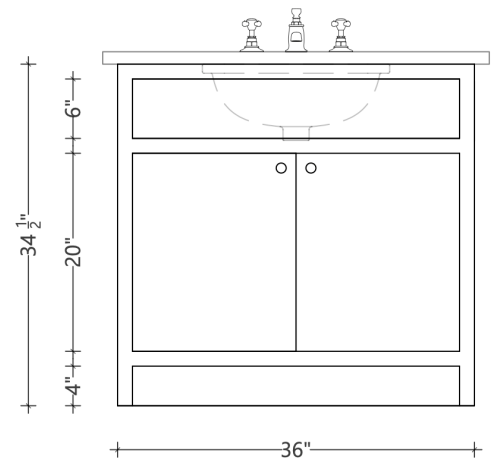
a. 24"



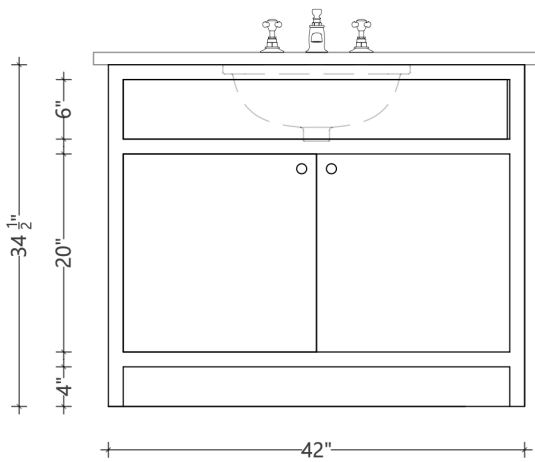
b. 30"



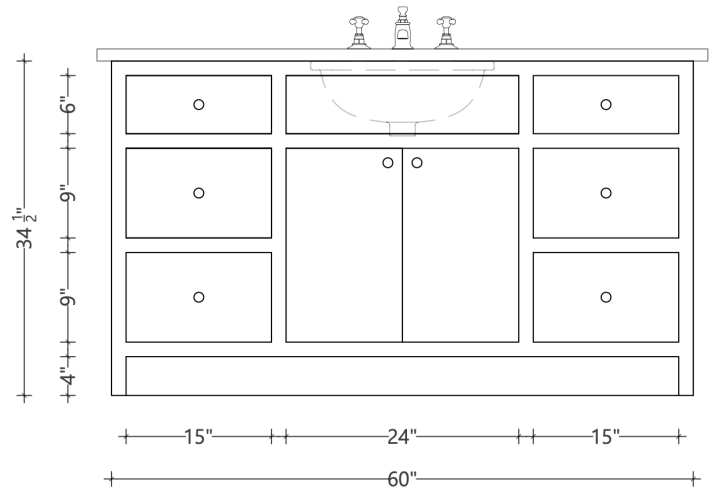
c. 36"



d. 42"



e. 60"



MINNEHAHA VANITIES

VANITY SIZES

All vanities are a single sink vanity without sink top.

- a. 24w x 34.5h x 22.75
- b. 30w x 34.5h x 22.75
- c. 36w x 34.5h x 22.75
- d. 42w x 34.5h x 22.75
- e. 60w x 34.5h x 22.75

VANITY DETAILS

- 1.5” traditional style inset
- Wood species: Rift White Oak, Alder
- All sizes are built for undermount sinks

Door Details:

- All sizes have soft close doors
- Door style is a slab door with 1/4” miter edge trim on the outside of the door.

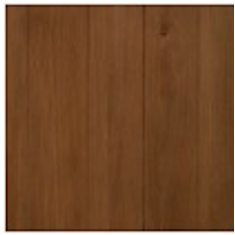
Drawer Details:

- All sizes are maple dovetail with a a flush slab style with a 1/4” miter edge detail.
- All sizes have soft close drawers
- 24”-42” do not have drawers
- 60” offers six operational drawers

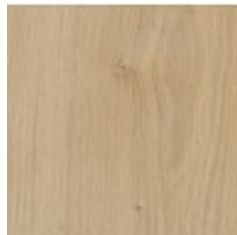
VANITY FINISHES

VANITY FINISHES

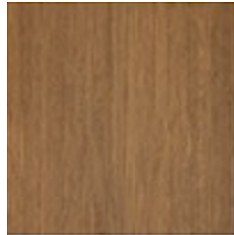
We use the finest furniture-grade select hardwood available for our cabinets and cabinet doors. Because hardwood is a product of nature, variations in color and grain are to be expected. Therefore, while your cabinetry will have the same appearance as our samples, it will be unique and perhaps noticeably different. You can anticipate the consistency of quality and craftsmanship as well as the character of natural wood in all of our cabinetry.



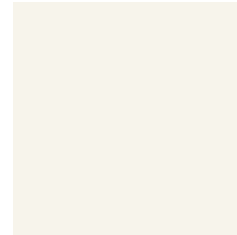
FIG



BISCOTTI



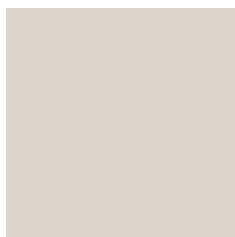
PECAN



PARMESAN



SEA FOAM



GROUND GINGER 50 SHADES



SALT WATER



TATE OLIVE



WOOL
TWEED

VANITY INSTALLATION RECOMMENDATIONS

INSTALLATION TEAM

- We recommend professional installation by your builder or general contractor.
- A two person team is recommended.

PLUMBING & ELECTRICAL

- All plumbing rough in complete, per your local code.
- Water supply available.
- Verify all points are free of plumbing and electrical lines.
- Verify the location of the vanity allows for the operation of doors and drawers without obstruction.
- Cut holes in the back panel to accommodate plumbing lines. Verify the plumbing is centered under the sink location.
- Verify floor is level. If the floor is out level, it may require shimming.
- Attach the vanity securely to wall framing for proper support.

HARDWARE

- Cabinet hardware installation is recommended by a professional.
- All drawers interfering with possible plumbing are sized on a 9" drawer track, there may need to be additional cut outs.

VANITY SHIPPING & RETURN POLICY

VANITY SHIPPING

- Shipping is not included in the vanity order and will be calculated upon check-out.
- All orders are processed within 5 to 7 business days (excluding weekends and holidays) after receiving your order confirmation email.
- Orders will ship in 4 to 6 weeks.
- You will receive another notification when your order has shipped.
- Timing for delivery may change depending on unexpected shipping or manufacturing delays.
- We only fulfill and ship orders domestically in the United States.

VANITY RETURNS

- All purchases are final sale unless damage has occurred to the item in transit.
- In the event that your order arrives damaged in any way, please email us within 7 days of receiving the order at hello@jkath.com with your order number and a photo of the item's condition. We address these on a case-by-case basis but will try our best to work towards a satisfactory solution.